

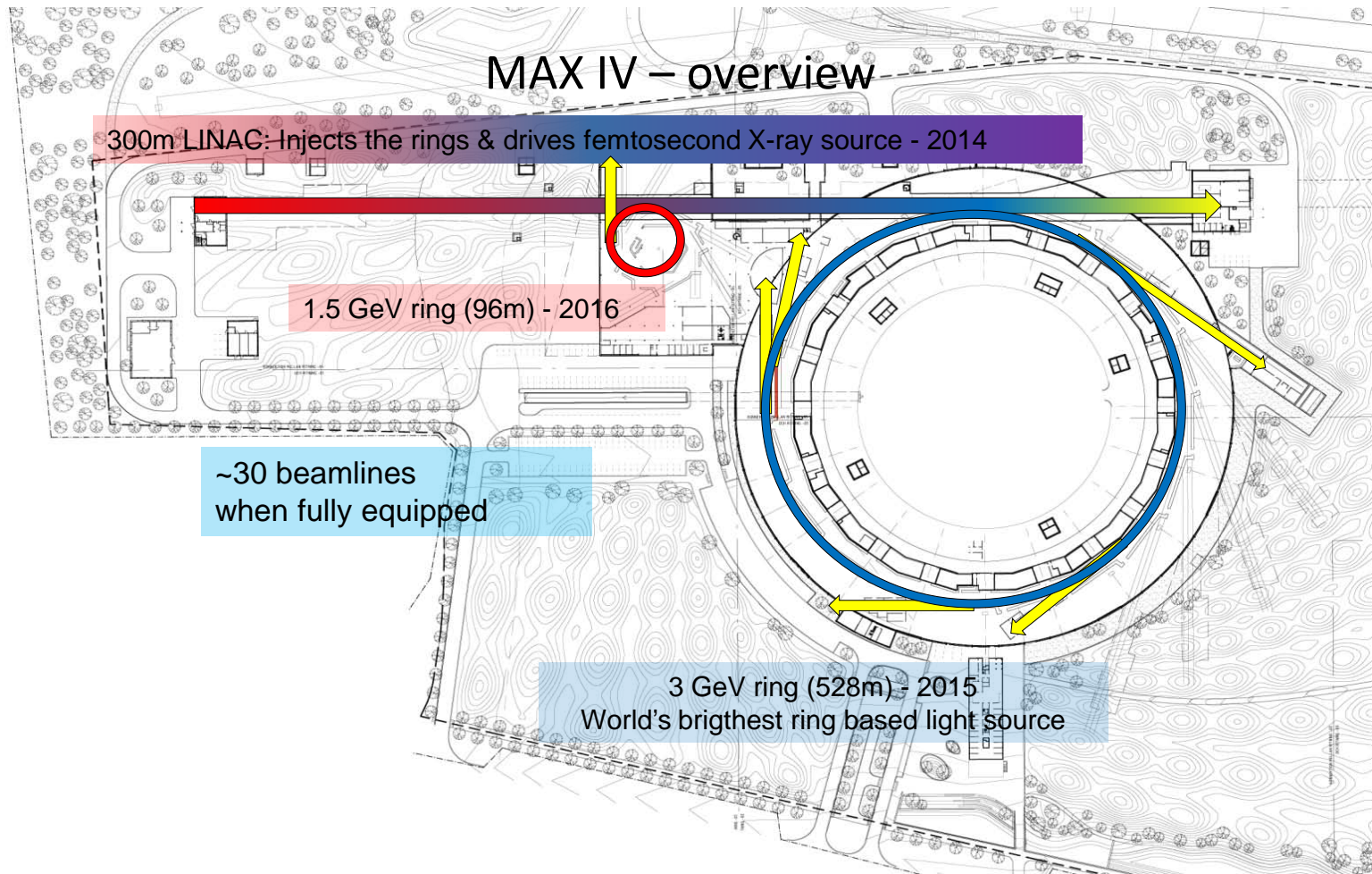
MAX IV



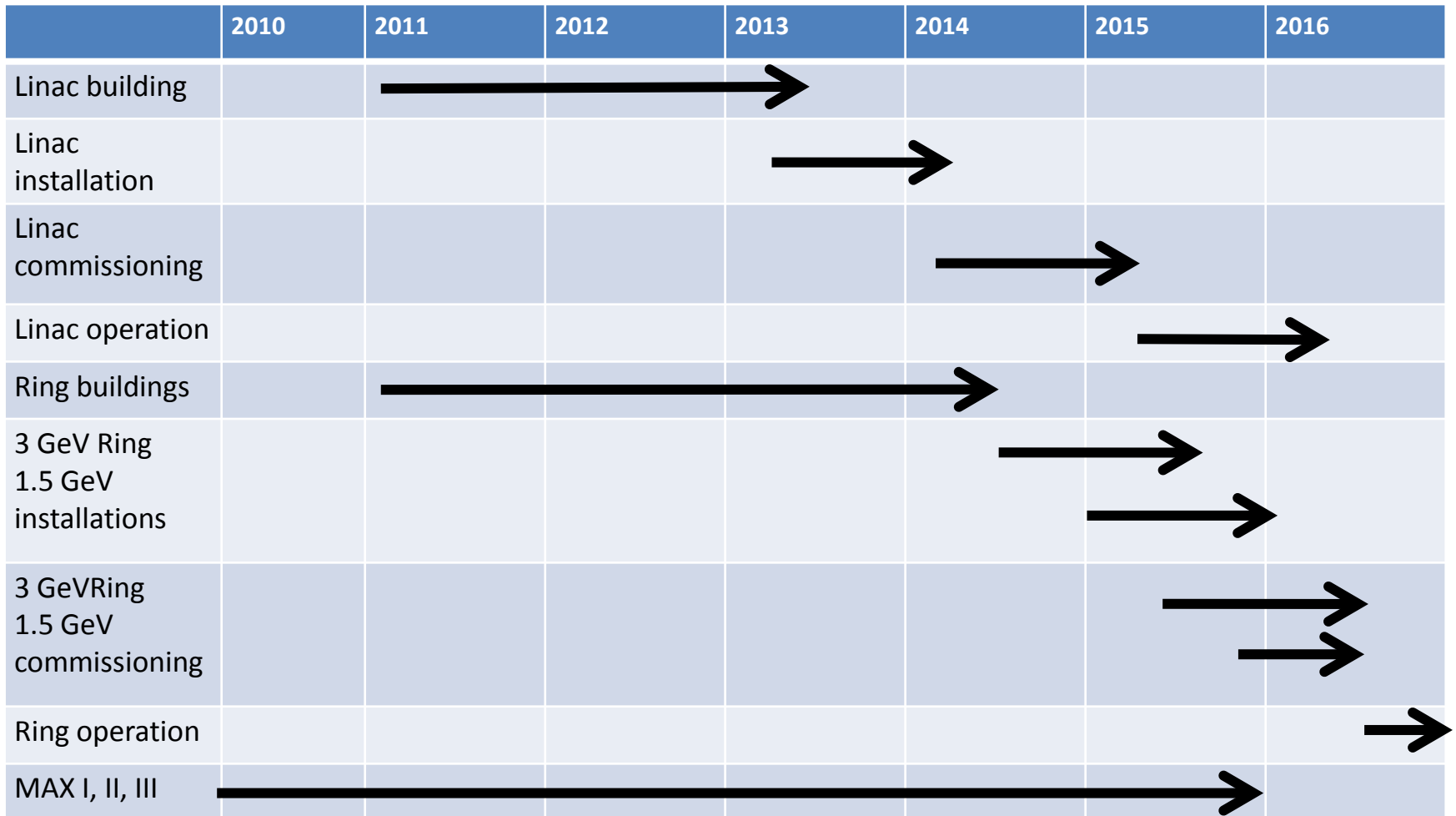
FOJAB arkitekter SNØHETTA MAXLAB; Skiss 110609

Mikael Eriksson, DLSR; SLAC, Dec 9-11

MAX IV – overview



Time schedule MAX IV





Mikael Eriksson, DLSR; SLAC, Dec 9-11



Mikael Eriksson, DLSR; SLAC, Dec 9-11

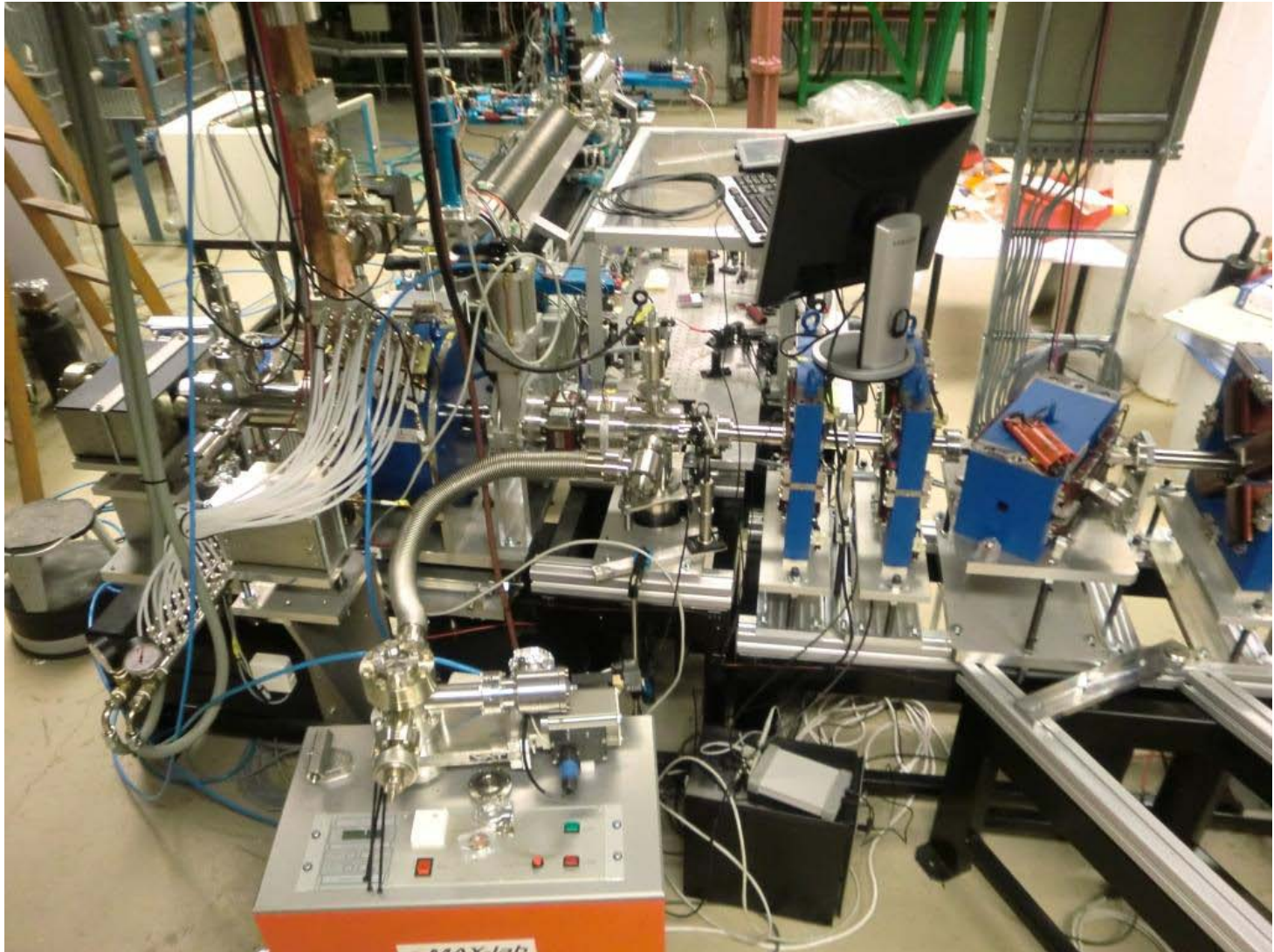


Mikael Eriksson, DLSR; SLAC, Dec 9-11



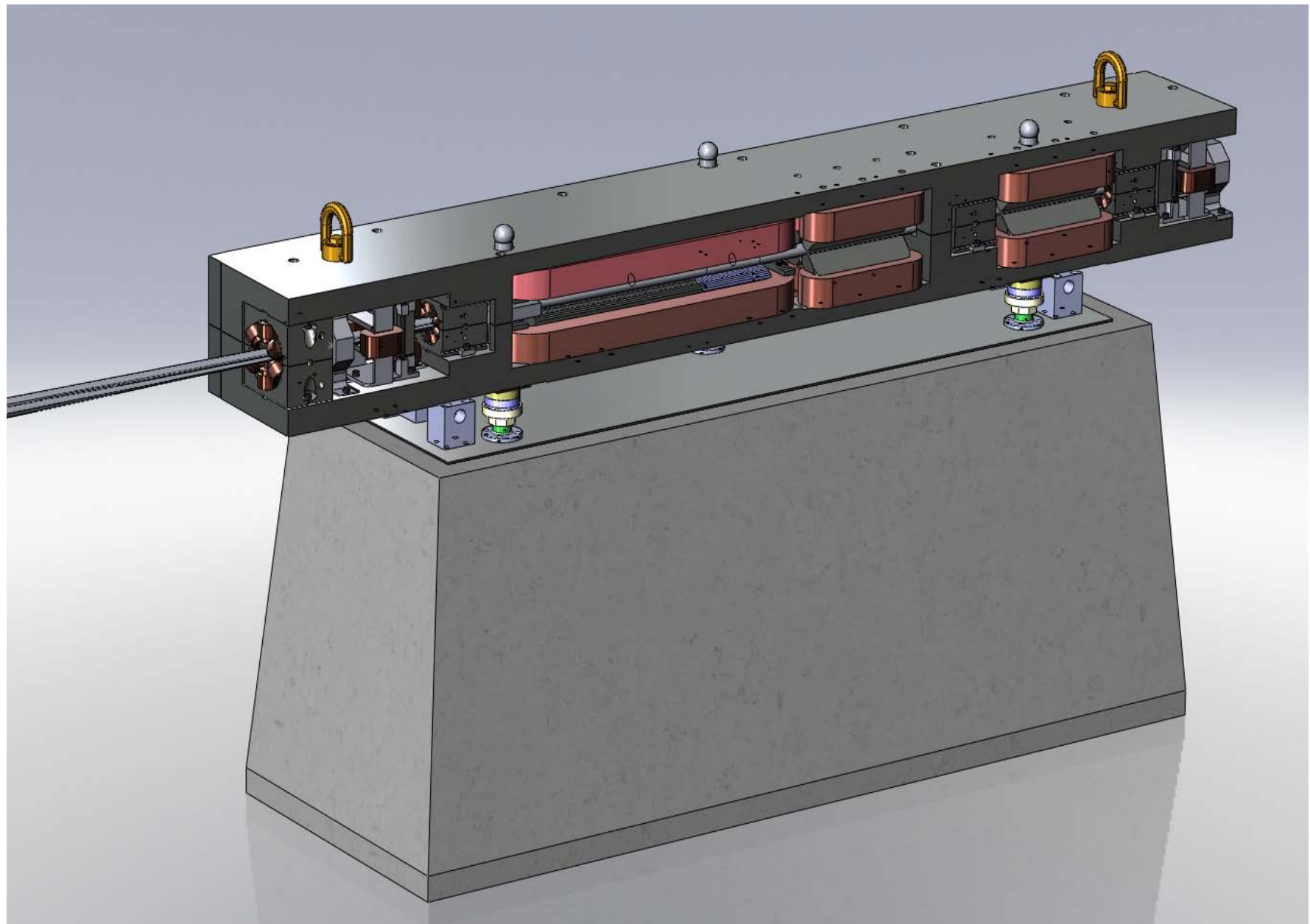
Mikael Eriksson, DLSR; SLAC, Dec 9-11

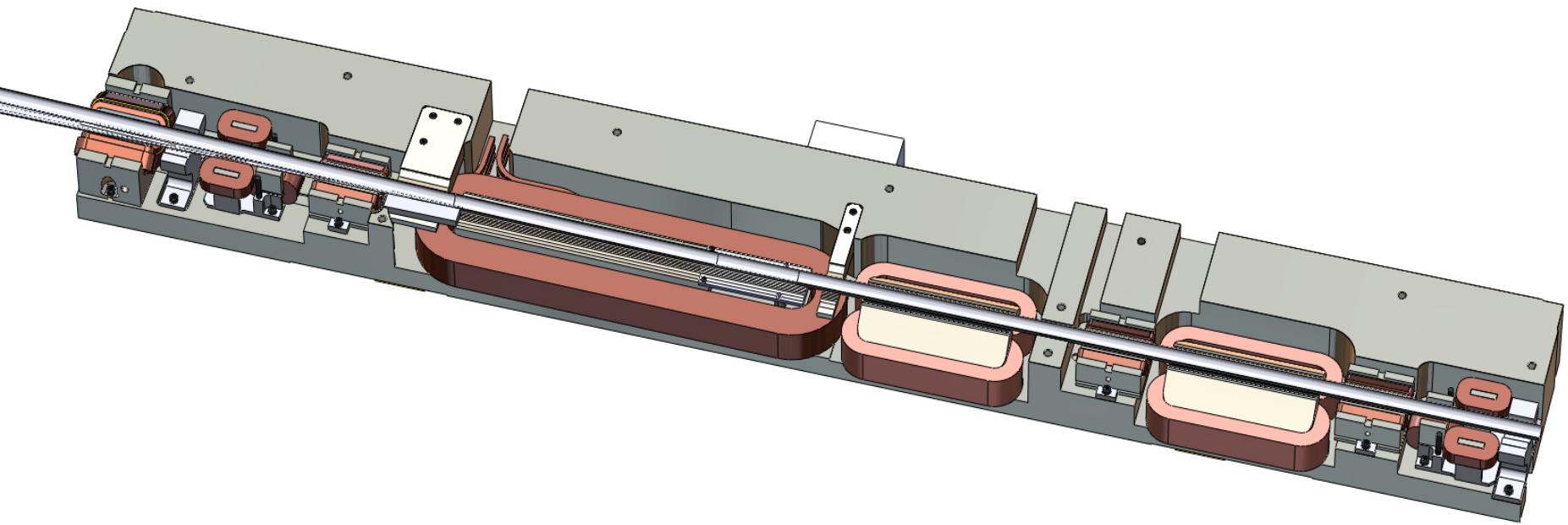
Linac injector



Mikael Eriksson, DLSR; SLAC, Dec 9-11

END

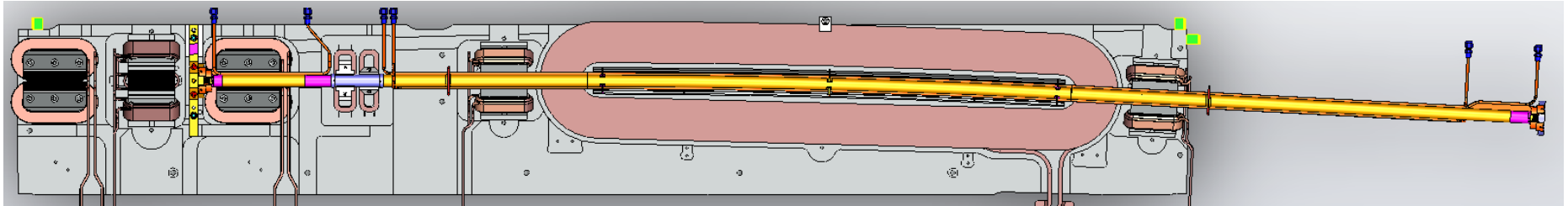




First Dummy Magnet Block (SM)



Vacuum chamber



- BPM Bodies fixed to the Blocks.
- Geometry is as symmetrical as possible – if heat load changes , dimensions change but center (nearly) does not move.

