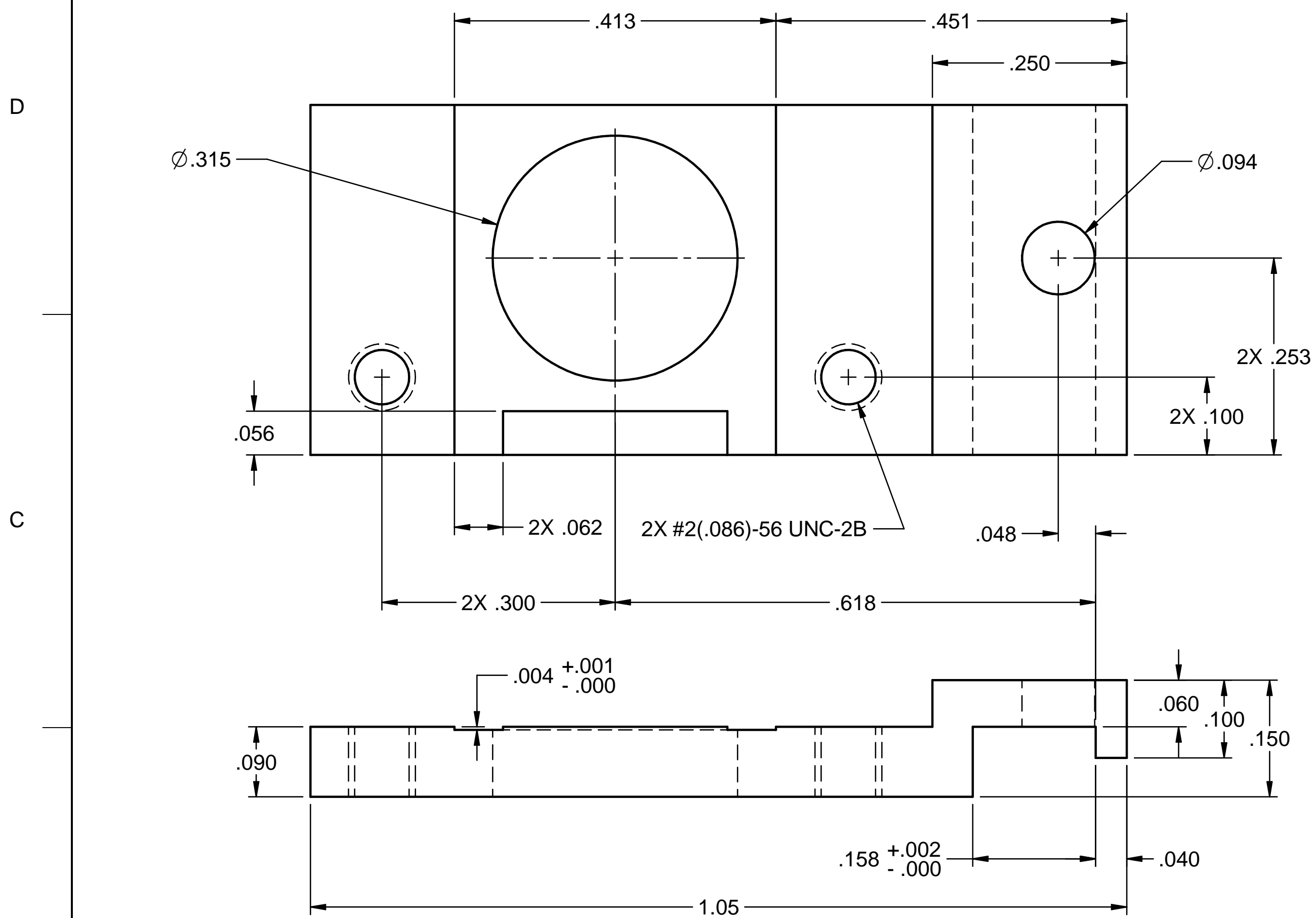


REV	DESCRIPTION	DWN	CHKR	APVD	DATE
-----	-------------	-----	------	------	------



**ULTRA HIGH  
VAC PART**  
FABRICATE PER  
FP-202-631-14

NOTES: UNLESS OTHERWISE SPECIFIED

- 1 MATERIAL: SST BAR, IN ACCORDANCE WITH ASTM A276. MILL SOURCE CERTIFICATES REQUIRED, INCLUDING HEAT NUMBER AND CHEMICAL ANALYSIS.
- 2 BAG AND LABEL WITH PART NUMBER AND REVISION.

1	BAR, .188 X .50, 304 SST
STOCK NO	MATERIAL DESCRIPTION

**ESTIMATED MASS  
.009 lbm**

---	DIMENSIONING AND TOLERANCING IS IAW ASME Y14.5M-1994 AND Y14.41-2003	SCALE: <b>8:1</b> DO NOT SCALE DRAWING	CAD FILE NAME: pf25740293-0.dft
---	UNLESS OTHERWISE SPECIFIED DIMENSIONS ARE IN INCHES.	<b>SLAC</b> NATIONAL ACCELERATOR LABORATORY	<b>FACET DIAGNOSTICS SYSTEMS OTR FOIL MOUNT ASSY OTR YAG MOUNT</b>
---	TOLERANCES: BREAK EDGES .005-.015 INTERNAL CORNERS R.015 MAX FRACTIONS ± --- DEC .XX± .01 .XXX± .005 .XXXX± --- ANGLE ± ---	<b>U.S. DEPARTMENT OF ENERGY</b>	
---	32 ALL SURF ✓	THE DRAWINGS, SPECIFICATIONS AND OTHER DATA HEREIN PROVIDED SHALL NOT BE COPIED, PUBLISHED OR OTHERWISE FURTHER DISSEMINATED WITHOUT PRIOR WRITTEN PERMISSION OF STANFORD UNIVERSITY/SLAC	APPROVALS D. WALZ C. IVERSON
---	SA-257-402-85	ENGR <u>D. WALZ</u> DWN <u>G. BOUCHARD</u> 10/29/2012 CHKR <u>D. WALZ</u>	DATE 10/29/2012
---	NEXT ASSEMBLIES:		---

DRAWING NUMBER <b>PF-257-402-93</b>			REVISION NUMBER <b>0</b>	<b>C</b>
--	--	--	-----------------------------	----------

FACET DIAG OTR FOIL YAG MOUNT

PF-257-402-93 0 C SH 1 OF 1