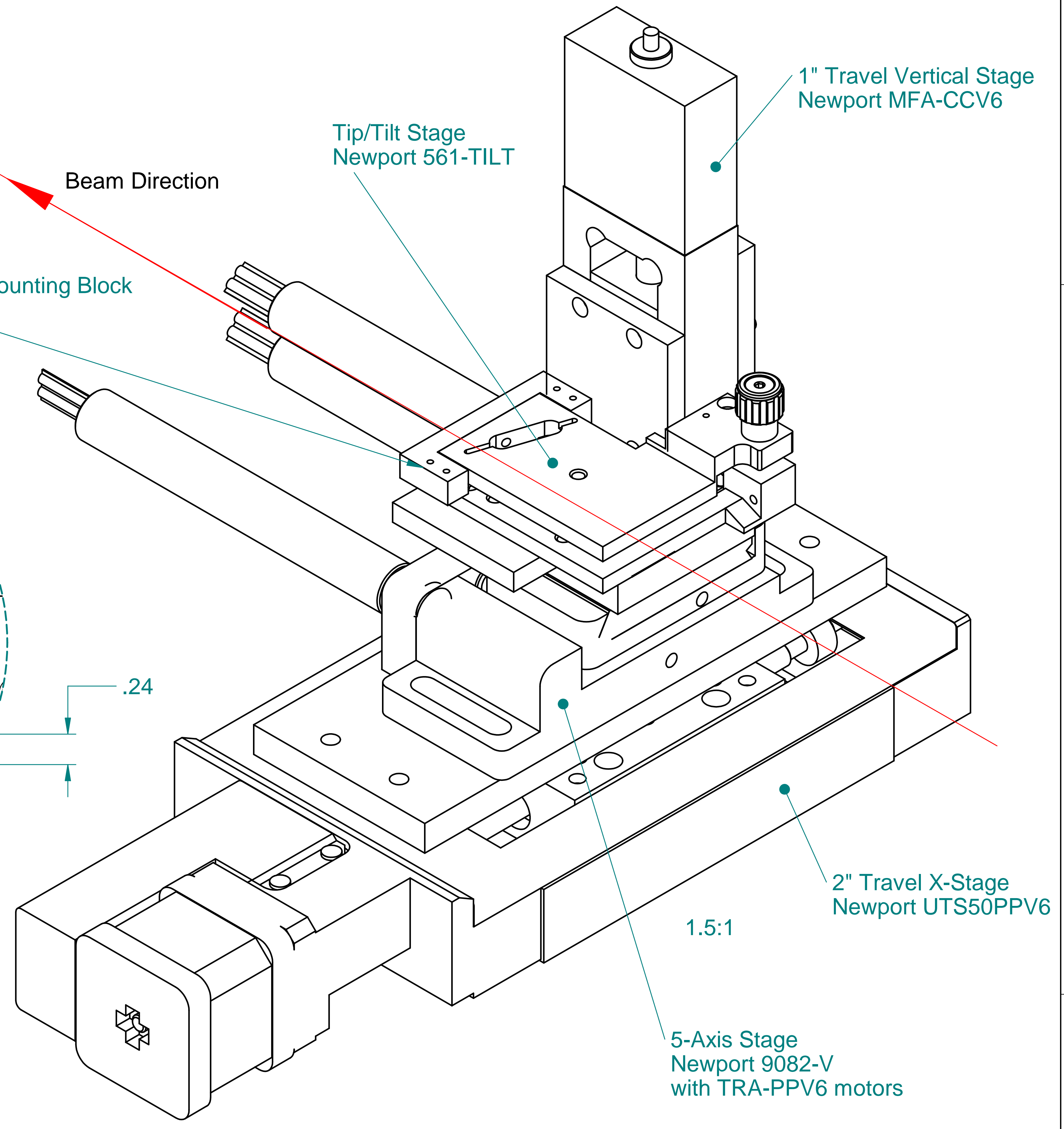


**DETAIL A**



4.97

DIMENSIONING AND TOLERANCING IS IAW ASME Y14.5M-1994 AND Y14.41-2003		SCALE: 1:1 DO NOT SCALE DRAWING		CAD FILE NAME: krakenStages.dft	
UNLESS OTHERWISE SPECIFIED DIMENSIONS ARE IN INCHES.					
TOLERANCES: BREAK EDGES .005-.015 INTERNAL CORNERS R.015 MAX FRACTIONS ± --- DEC .XX± --- .XXX± --- .XXXX± --- ANGLE ± ---		THE DRAWINGS, SPECIFICATIONS AND OTHER DATA HEREIN PROVIDED SHALL NOT BE COPIED, PUBLISHED OR OTHERWISE FURTHER DISSEMINATED WITHOUT PRIOR WRITTEN PERMISSION OF STANFORD UNIVERSITY/SLAC		<b>KRAKEN STAGES</b>	
NEXT ASSEMBLIES:		ENGR --- DWN <b>M. Dunning</b> CHKR ---		APPROVALS DATE --- --- ---	
				DRAWING NUMBER --- REVISION NUMBER <b>0</b>	