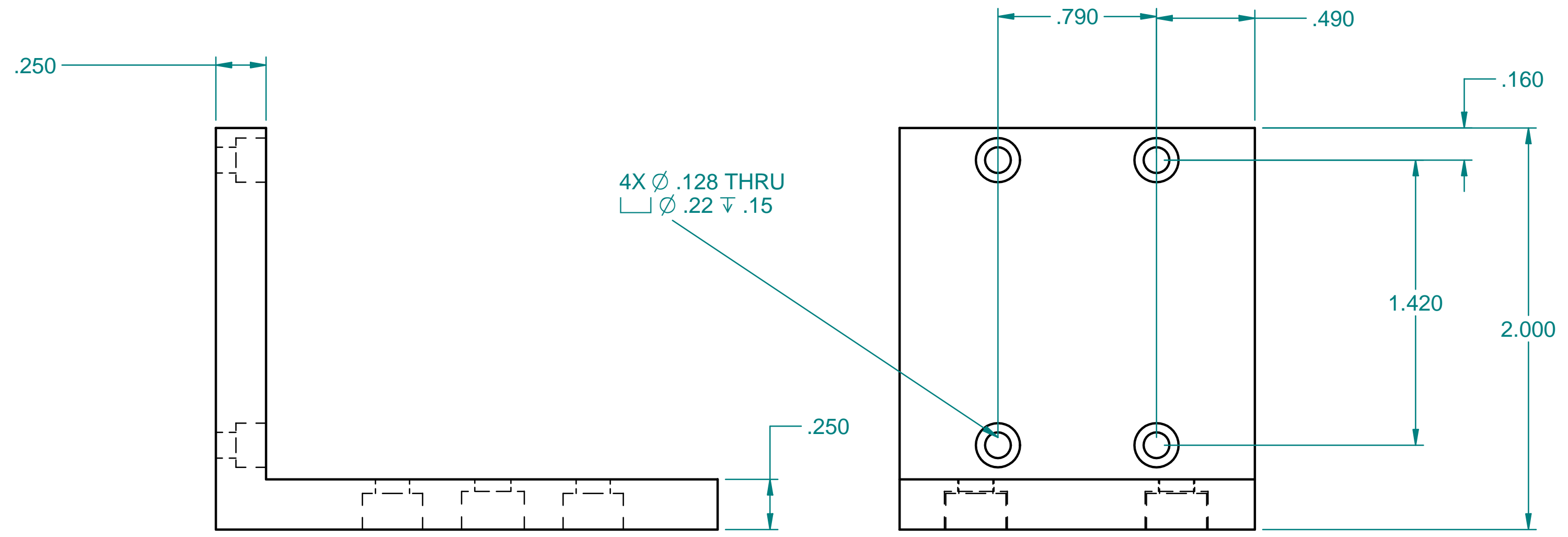
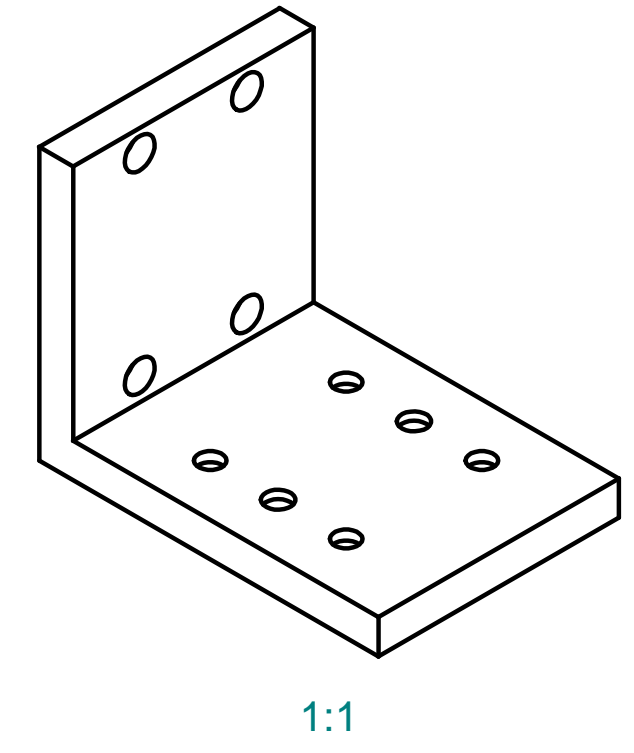
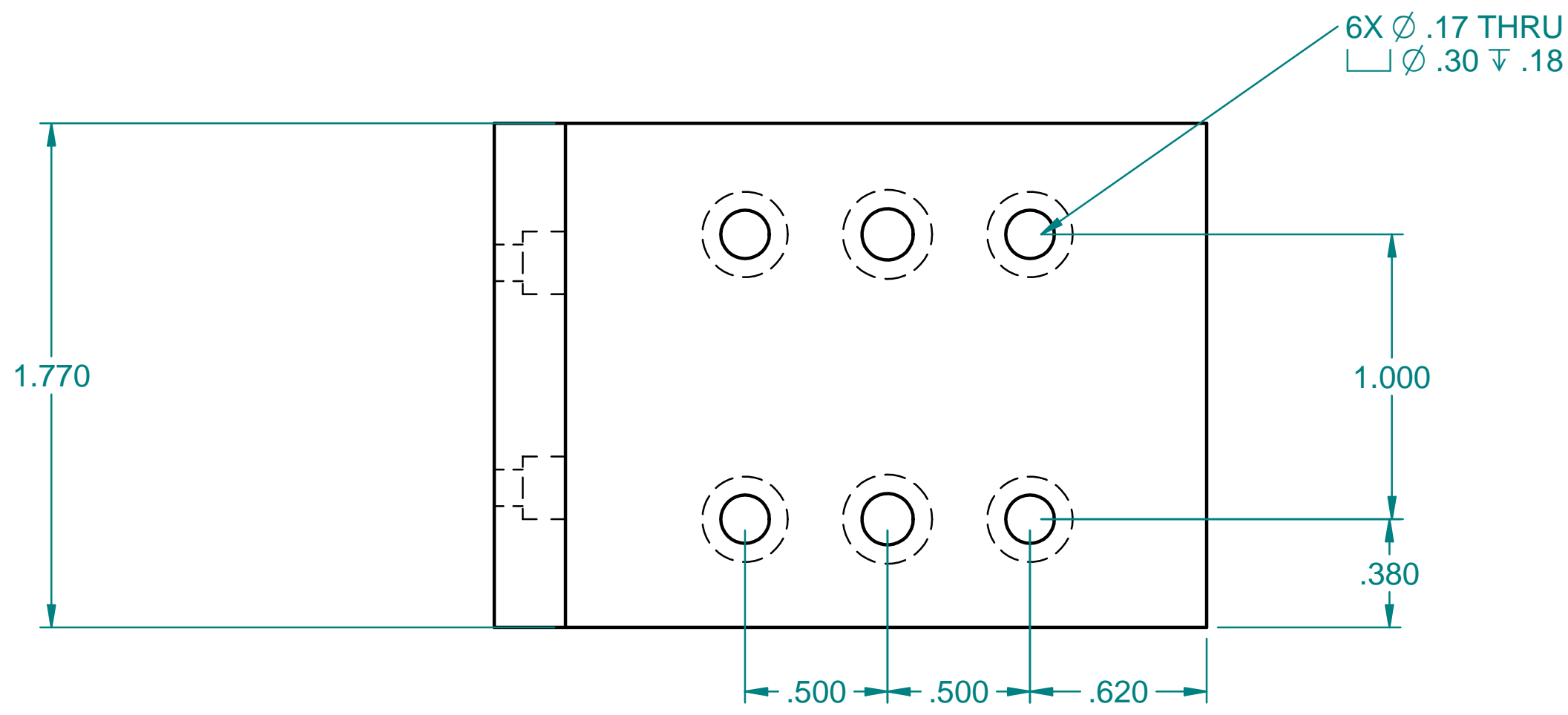


REV	DESCRIPTION	DWN	CHKR	APVD	DATE



4X Ø .128 THRU
 Ø .22 ▽ .15

---	DIMENSIONING AND TOLERANCING IS IAW ASME Y14.5M-1994 AND Y14.41-2003	SCALE: 2:1 DO NOT SCALE DRAWING	CAD FILE NAME: 561mountingLbracket.dft
---	UNLESS OTHERWISE SPECIFIED DIMENSIONS ARE IN INCHES.	SLAC NATIONAL ACCELERATOR LABORATORY	KRAKEN 561 L-BRACKET
---	TOLERANCES: BREAK EDGES .005-.015 INTERNAL CORNERS R.015 MAX	U.S. DEPARTMENT OF ENERGY	
---	FRACTIONS ± --- DEC .XX± --- .XXX± --- .XXXX± --- ANGLE ± ---	THE DRAWINGS, SPECIFICATIONS AND OTHER DATA HEREIN PROVIDED SHALL NOT BE COPIED, PUBLISHED OR OTHERWISE FURTHER DISSEMINATED WITHOUT PRIOR WRITTEN PERMISSION OF STANFORD UNIVERSITY/SLAC	---
---	ALL SURF ✓	ENGR --- DWN <u>M. Dunning</u> CHKR ---	DATE --- APPROVALS --- ---
NEXT ASSEMBLIES:			DRAWING NUMBER --- REVISION NUMBER 0 C